



# INSTALLATION INSTRUCTIONS

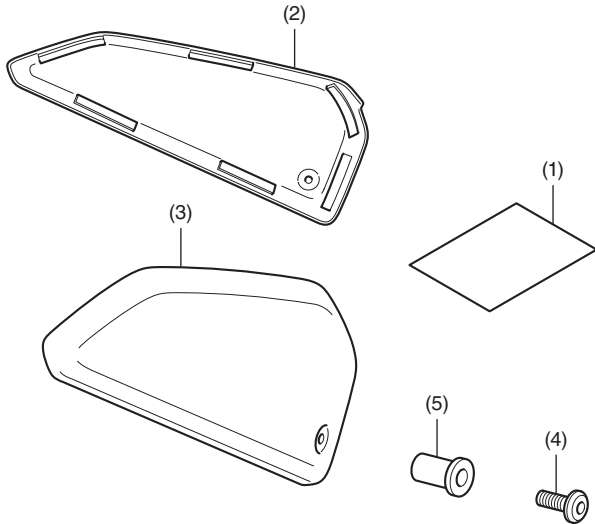
Accessory	Application	Publication No.
<b>SIDE COVER PANEL</b> P/N 08F75-MKN-D50	<b>CB650RA</b> <b>CBR650RA</b>	<b>MII</b>
		Issue Date
		<b>October 2018</b>

Accessory	Application	Publication No.
<b>SIDE COVER PANEL</b> P/N 08F75-MKN-D50	<b>CB650RA</b> <b>CBR650RA</b>	<b>MII</b>
		Issue Date
		<b>October 2018</b>

Accessory	Application	Publication No.
<b>SIDE COVER PANEL</b> P/N 08F75-MKN-D50	<b>CB650RA</b> <b>CBR650RA</b>	<b>MII</b>
		Issue Date
		<b>October 2018</b>

**Honda Dealer: Please give a copy of these instructions to your customer.**

## PARTS LIST



No.	Description	Qty
(1)	URL paper	1
(2)	Right side panel	1
(3)	Left side panel	1
(4)	5 mm bolt	2
(5)	Well nut	2

## TOOLS AND SUPPLIES REQUIRED

- Hex wrench (3 mm)
- Electric drill
- Drill bit (10 mm)
- Primer
- Isopropyl alcohol
- Shop towel
- Torque wrench

## TORQUE CHART

Tighten all screws, bolts, and nuts to their specified torque values. Refer to the Service Manual for the torque values of the removed parts.

Item	N-m	kgf-m	lbf-ft
5 mm bolt	0.4	0.04	0.3

## INSTALLATION

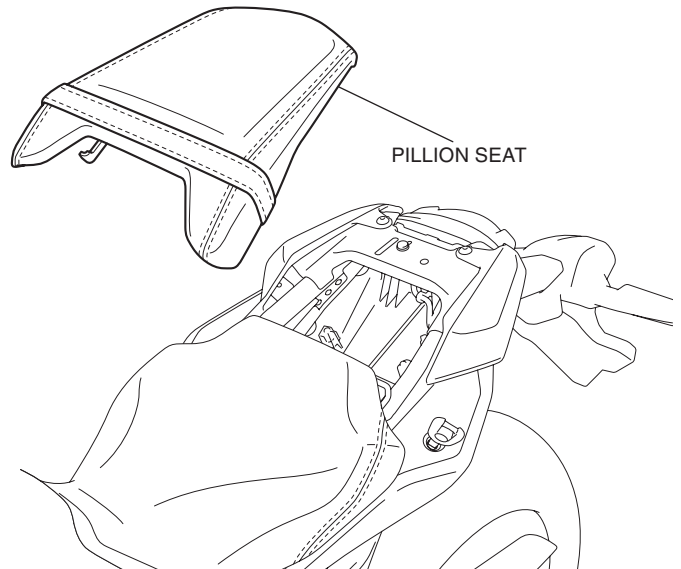
### ▲ CAUTION

- To prevent burns, allow the engine, exhaust system, radiator, etc., to cool before installing the accessory.

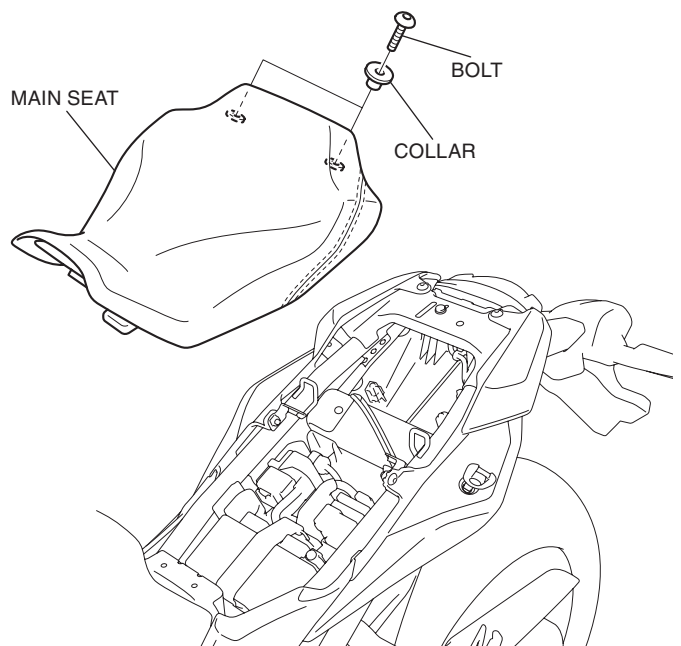
### NOTE:

- Heat the bonding surfaces with a hair dryer if the ambient air temperature is below 70°F (21°C).
- The adhesive reaches full strength in 72 hours. Wait at least 24 hours before riding your motorcycle.

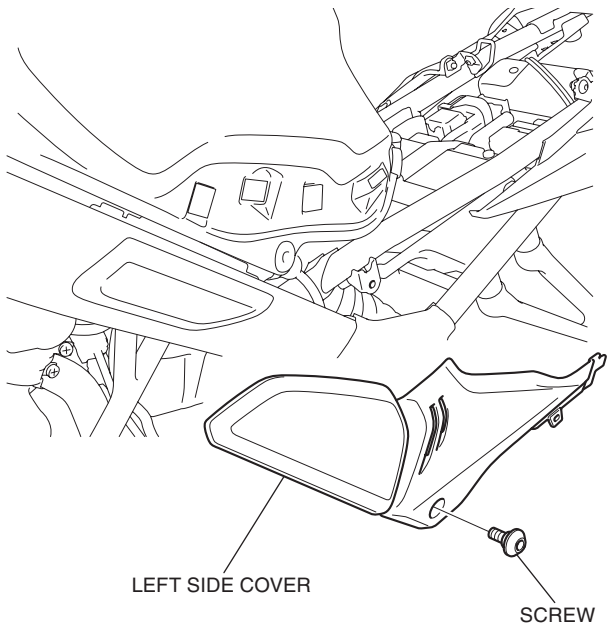
- Remove the pillion seat as shown.



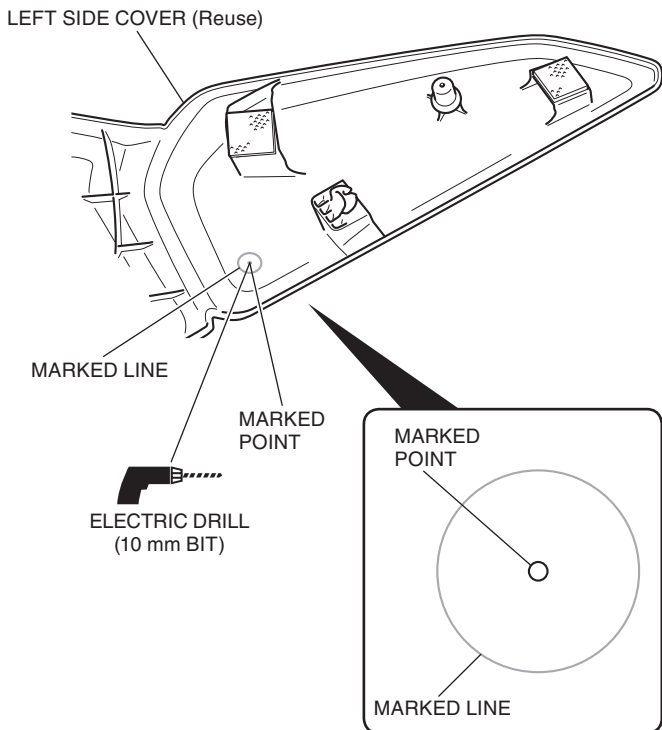
- Remove the main seat as shown.



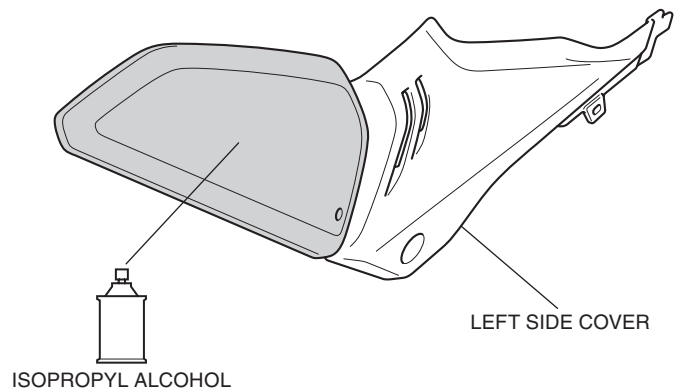
3. Remove the left side cover as shown.  
**<Left side>**



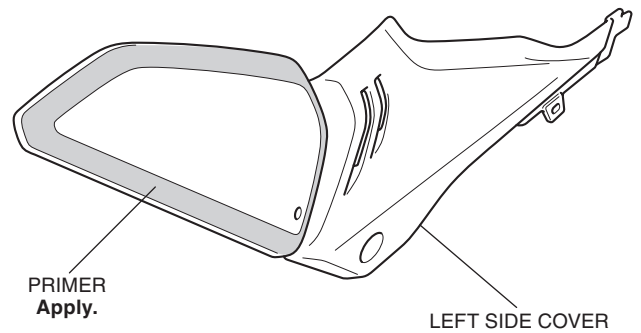
4. Drill at the marked point of the left side cover as shown.
- **Remove the any burrs from the edge of the hole.**



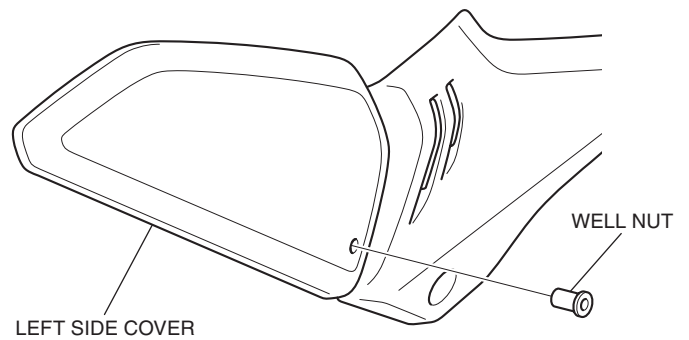
5. Clean the surface of the area shown using an isopropyl alcohol.



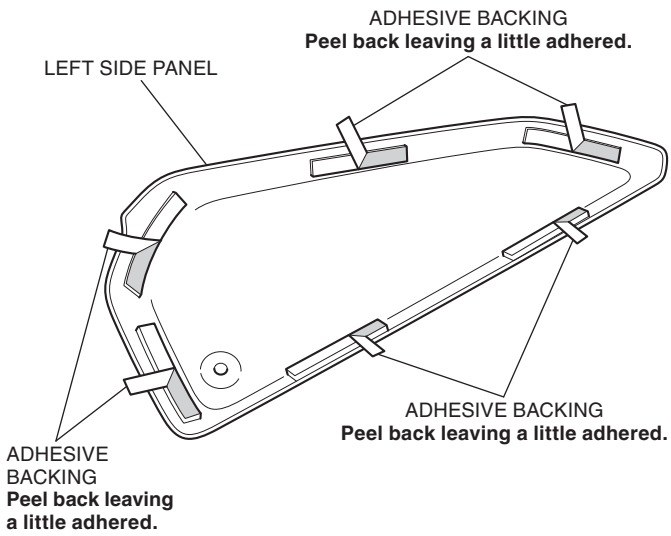
6. Apply primer to the position shown.
- **After applying, allow the primer to dry for at least 10 minutes.**



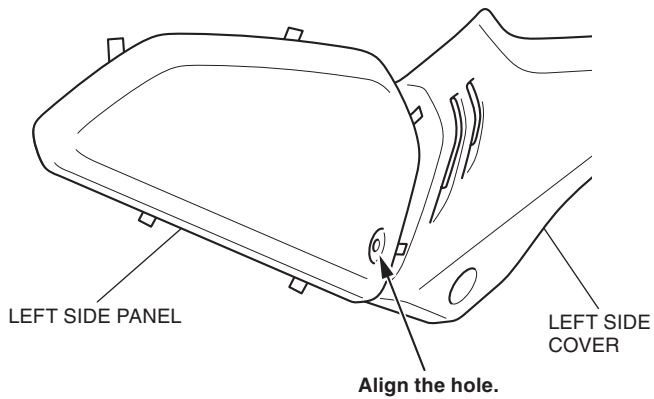
7. Install the well nut as shown.



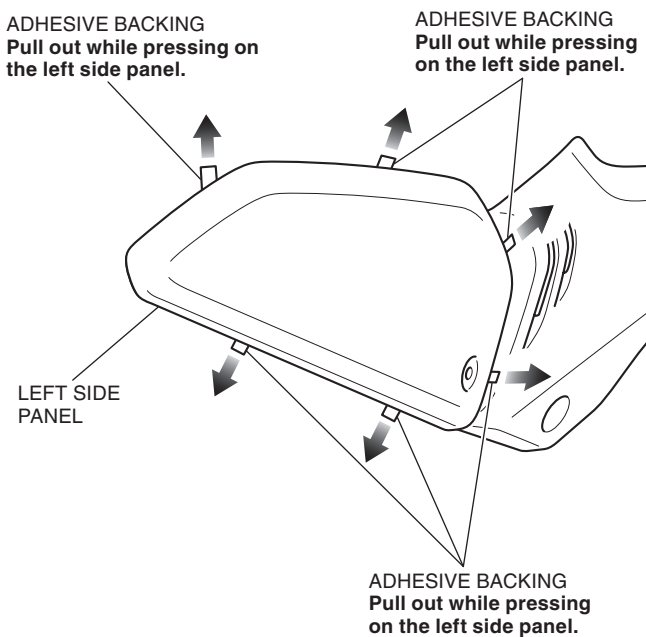
8. Peel off the adhesive backing on the left side panel as shown.



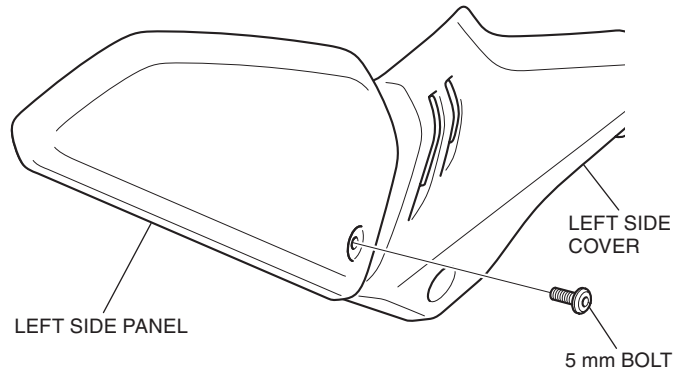
9. Attach the left side panel as shown.



10. Remove the adhesive backing as shown.



11. Apply adequate pressure to the attached left side panel.  
12. Install the 5 mm bolt as shown.



13. Install the right side panel in the same manner as the left side.  
14. Install the motorcycle's parts in the reverse order of removal.